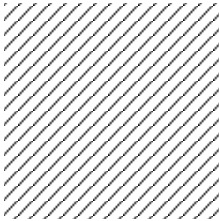


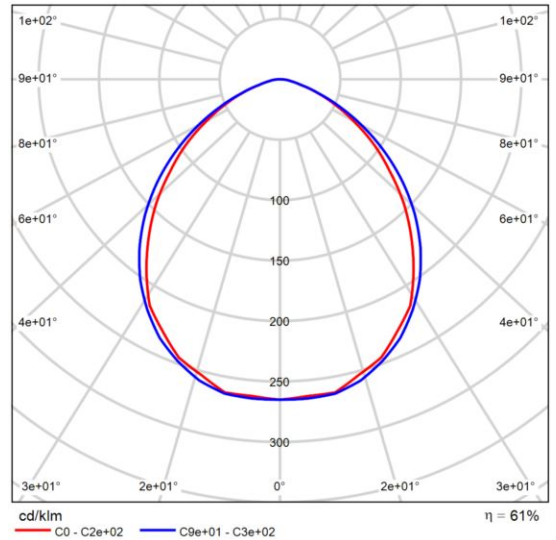
**SMALL 5606**

# Product data sheet

## GOCCIA SMALL 60W



Article No.	5606
P	60.0 W
$\Phi_{Lamp}$	730 lm
$\Phi_{Luminaire}$	448 lm
$\eta$	61.37 %
Luminous efficacy	7.5 lm/W



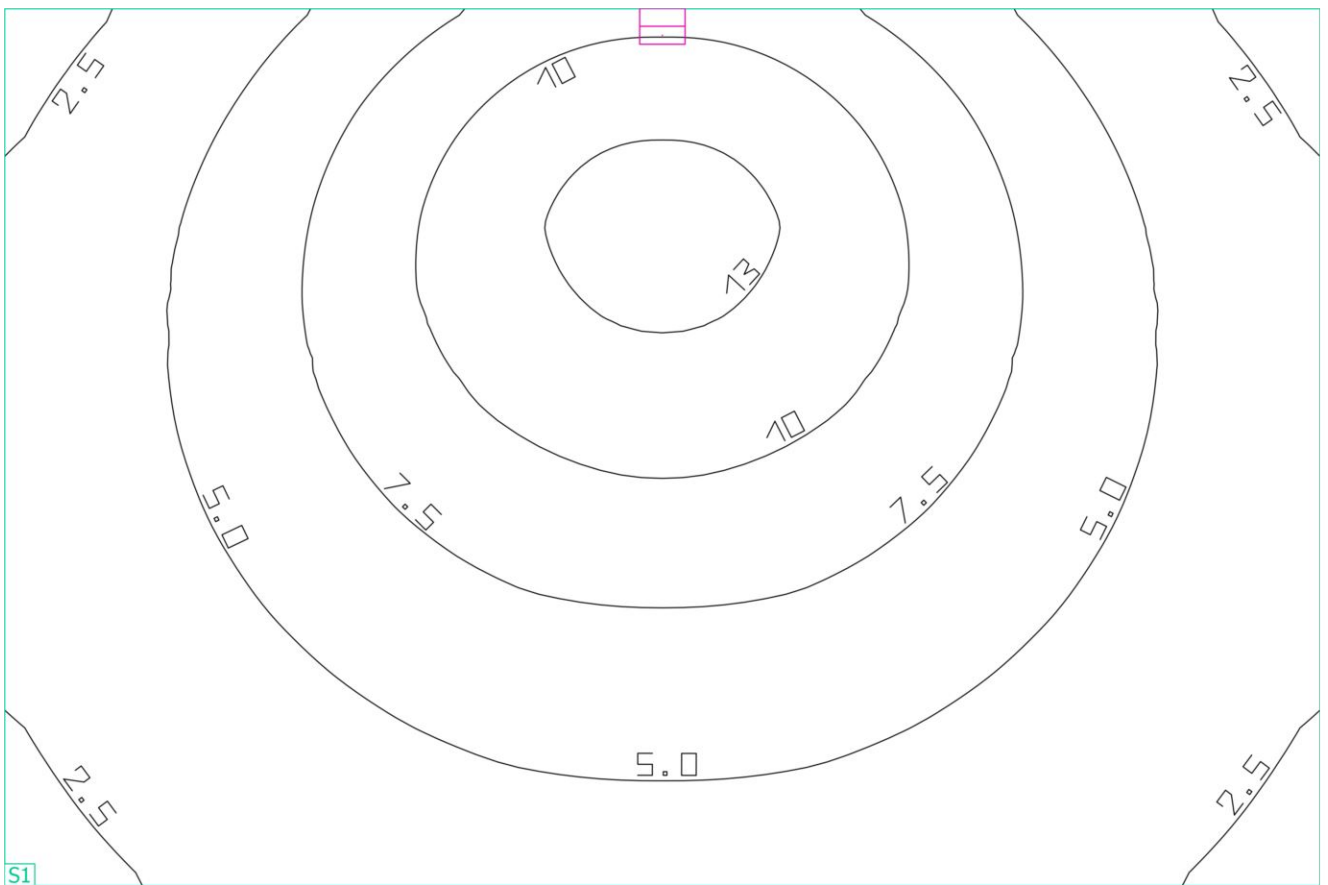
Polar LDC

Glare evaluation according to UGR												
p Ceiling		70	70	50	50	30	70	70	50	50	30	
p Walls		50	30	50	30	30	50	30	50	30	30	
p Floor		20	20	20	20	20	20	20	20	20	20	
Room size	X Y	Viewing direction at right angles to lamp axis					Viewing direction parallel to lamp axis					
2H	2H	53.0	54.2	53.3	54.4	54.7	53.4	54.6	53.7	54.8	55.1	
	3H	53.8	54.9	54.1	55.1	55.4	54.1	55.3	54.5	55.5	55.8	
	4H	53.9	55.0	54.3	55.3	55.5	54.3	55.4	54.6	55.6	55.9	
	6H	54.0	55.0	54.4	55.3	55.6	54.4	55.4	54.7	55.7	56.0	
	8H	54.1	55.0	54.4	55.3	55.6	54.4	55.3	54.8	55.6	56.0	
	12H	54.1	55.0	54.4	55.3	55.6	54.4	55.3	54.8	55.6	56.0	
4H	2H	53.4	54.5	53.8	54.8	55.0	53.8	54.8	54.1	55.1	55.4	
	3H	54.3	55.2	54.7	55.6	55.9	54.7	55.5	55.0	55.9	56.2	
	4H	54.6	55.4	55.0	55.7	56.1	54.9	55.7	55.3	56.0	56.4	
	6H	54.8	55.4	55.2	55.8	56.2	55.0	55.7	55.4	56.1	56.5	
	8H	54.8	55.5	55.2	55.9	56.3	55.1	55.7	55.5	56.1	56.5	
	12H	54.9	55.5	55.3	55.9	56.3	55.1	55.7	55.5	56.1	56.5	
8H	4H	54.7	55.3	55.1	55.7	56.1	55.0	55.6	55.4	56.0	56.4	
	6H	54.9	55.4	55.4	55.9	56.3	55.2	55.7	55.6	56.1	56.6	
	8H	55.0	55.5	55.5	55.9	56.4	55.2	55.7	55.7	56.1	56.6	
	12H	55.1	55.5	55.6	56.0	56.5	55.3	55.7	55.8	56.2	56.7	
12H	4H	54.6	55.2	55.1	55.6	56.1	54.9	55.5	55.4	55.9	56.4	
	6H	54.9	55.4	55.4	55.8	56.3	55.1	55.6	55.6	56.1	56.5	
	8H	55.0	55.4	55.5	55.9	56.4	55.3	55.7	55.7	56.1	56.6	
Variation of the observer position for the luminaire distances S												
S = 1.0H		+0.3 / -0.3					+0.2 / -0.3					
S = 1.5H		+0.5 / -1.0					+0.5 / -0.9					
S = 2.0H		+1.0 / -1.7					+1.1 / -1.7					
Standard table		BK03					BK03					
Correction summand		35.6					35.9					
Corrected glare indices referring to 730lm Total luminous flux												

UGR diagram (SHR: 0.25)

Site 1

**Surface result 6x4 m, h 3 m**



Properties	$\bar{E}$	$E_{min}$	$E_{max}$	$g_1$	$g_2$	Index
Surface result 6x4 m, h 3 m Perpendicular illuminance (adaptive) Height: 0.000 m	6.24 lx	1.72 lx	13.3 lx	0.28	0.13	S1

Utilisation profile: DIALux presetting, Standard (outdoor transportation area)